

Solarcraft's IDEAL Enclosures are rugged NEMA Type 3R and 4X rated enclosures that are perfect for industrial-grade indoor and outdoor applications. Made of aluminum with welded-seam construction, stainless steel hardware, and white powder coat finish, these durable enclosures provide ideal protection for your valuable equipment. The clean white finish reflects heat, sheds dirt, and looks great for years to come.

IDEAL enclosures are available in standard sizes and configurations to satisfy a range of electronic/electrical/power applications and settings. IDEAL has single and dual-compartment models for NEMA Type 3R and 4X requirements. If you don't see a size or configuration that meets your requirements, we can customize a solution for you.

Select vertical/pole mount, freestanding with integrated pedestal, or skid-mount options that best suit the size and weight of your application. For battery banks, IDEAL has a trunk style enclosure with an integrated pedestal base.

IDEAL offers two forklift-ready skids in either galvanized steel or light-weight diamond plate aluminum, for a complete ready-to-deploy solution. Custom turn-key packages are available to your specifications.

Why use IDEAL Enclosures?

- Strong lightweight 1/8" aluminum case for indoor and outdoor industrial applications
- All welded construction
- Continuous Poron[™] seal for NEMA type 3R and NEMA 4X rating
- Corrosion resistant powder coating preserves enclosure appearance, while reflecting heat from sunlight
- Stainless steel continuous piano hinge for strength and tamper resistance; durable stainless steel latch hardware resists corrosion
- Range of standard configurations for pole, pedestal, and pad mount situations

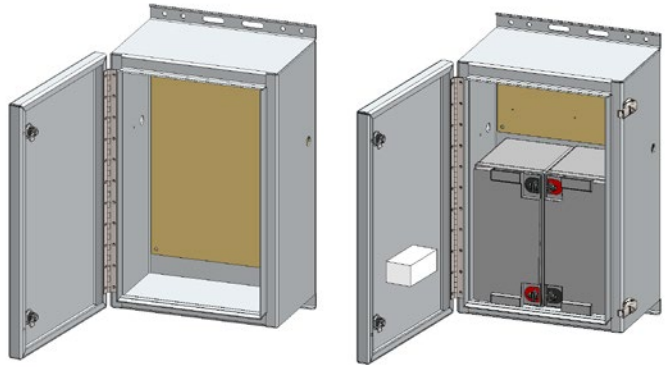


◀ Ideal IPA-2 enclosure with 15" x 9" back panel, electronics, and two batteries; pole mounted with solar array; Ideal ITA-10 trunk style battery enclosure; and Ideal SKID-LDM galvanized steel skid, is a turn-key field package.

IDEAL IPA-2 Powder Coated Aluminum Enclosure with 1/8" Aluminum Back Panel

Part Number	IPA-2
Exterior Dimensions (L x W x H)	10" x 16" x 24"
Interior Dimensions (L x W x H)	9.5" x 15.75" x 23.75"
Back Panel Dimensions (W x H)	15" x 9"

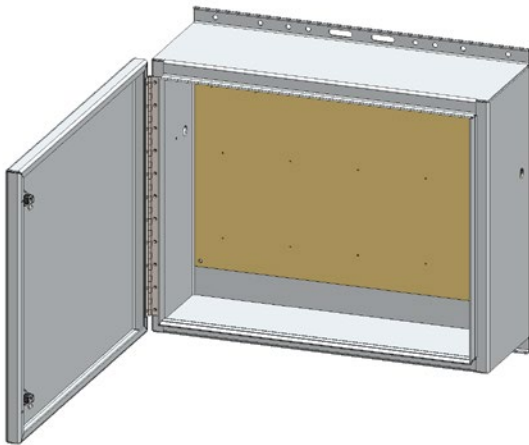
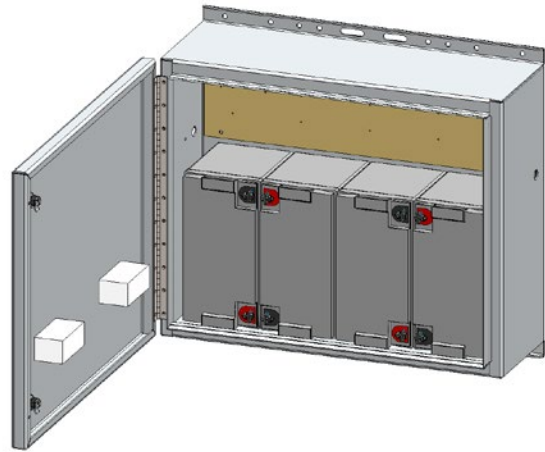
* Right illustration, shown with two (2) Group-31 batteries inside



IDEAL IPA-4 Powder Coated Aluminum Enclosure with 1/8" Aluminum Back Panel

Part Number	IPA-4
Exterior Dimensions (L x W x H)	10" x 30" x 24"
Interior Dimensions (L x W x H)	9.75" x 29.75" x 23.75"
Back Panel Dimensions (W x H)	29" x 9"

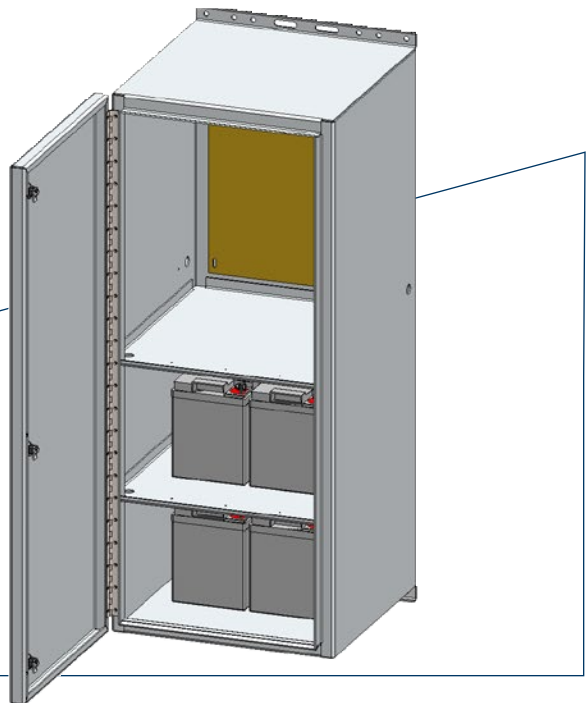
* Right illustration, shown with four (4) Group-31 batteries inside



IDEAL IPA-4T (Tall) Powder Coated Aluminum Enclosure with 1/8" Aluminum Back Panel

Part Number:	IPA-4T
Exterior Dimensions (L x W x H)	22" x 20" x 51"
Interior Dimensions (L x W x H)	20.75" x 19.75" x 47.75"
Back Panel Dimensions (W x H)	17.25" x 20.25"

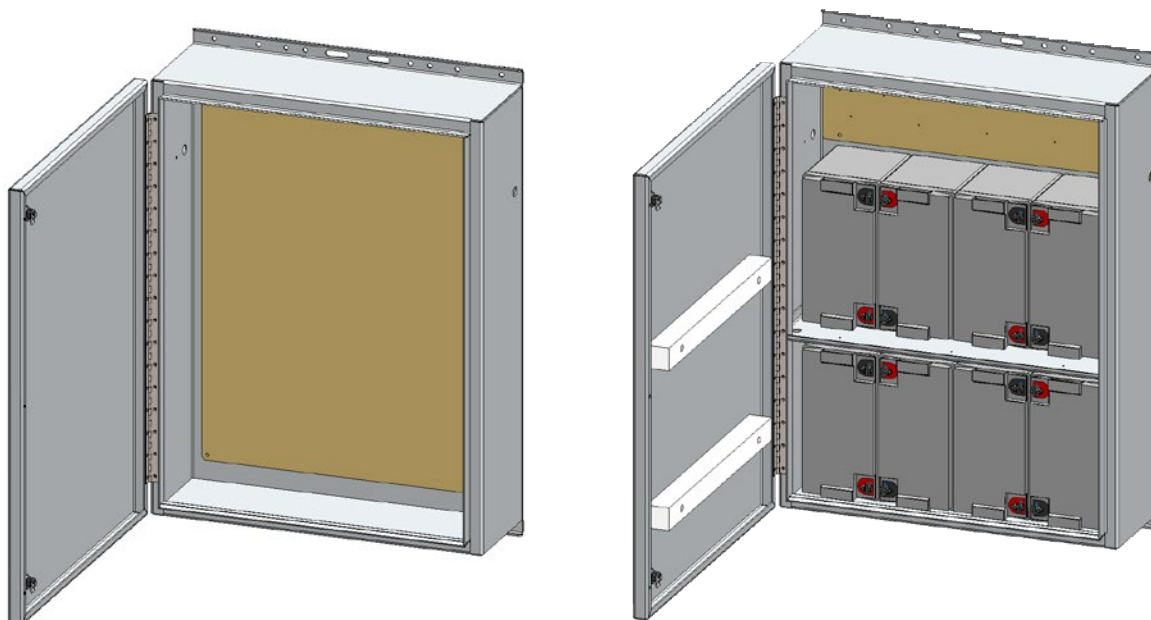
* Right illustration, shown with four (4) Group-31 batteries inside



IDEAL IPA-8 Powder Coated Aluminum Enclosure with 1/8" Aluminum Back Panel

Part Number	IPA-8
Exterior Dimensions (L x W x H)	11.5" x 30" x 41.75"
Interior Dimensions (L x W x H)	10.75" x 29.75" x 38.75"
Back Panel Dimensions (W x H)	28.5" x 9"

* Right illustration, shown with eight (8) Group-31 batteries inside

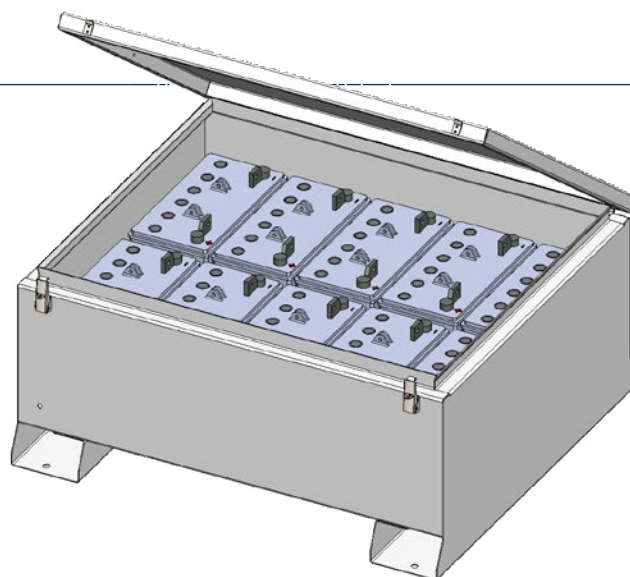


IDEAL ITA-10 Powder Coated Aluminum Trunk Style Enclosure

For battery banks: stores up to ten Group-31 batteries

Part Number	ITA-10
Exterior Dimensions (L x W x H)	32" x 36" x 17"
Interior Dimensions (L x W x H)	31.75" x 35.75" x 13.25"
NEMA Rating	3R

* Shown with ten (10) Group 31-batteries



Solarcraft IDEAL Aluminum Enclosures Parts and Specifications

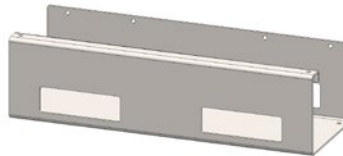
Solarcraft IDEAL 3/16" Aluminum Pedestal for IPA-4T Enclosure

Part Number	PED-IPA-4T
Dimensions (L x W x H)	20" x 20" x 8"



Solarcraft IDEAL 3/16" Aluminum Pedestal for IPA-4 and IPA-8 Enclosures

Part Number	PED-IPA-8
Dimensions (L x W x H)	10" x 30" x 8"



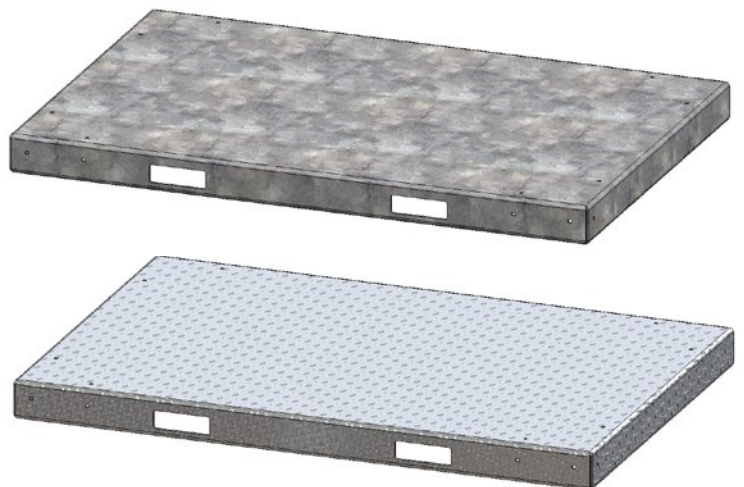
Solarcraft IDEAL Light Duty Skid, 4'x4'

Part Number	SKID-LDS
Dimensions (L x W x H)	48" x 48" x 4.5"
Available Materials and Finishes	<ul style="list-style-type: none"> 3/16" Diamond Plate Steel 3/16" Galvanized Steel 3/16" Powder Coated Steel (Canyon Color) 3/16" Diamond Plate Aluminum



Solarcraft IDEAL Light Duty Skid, 4'x6'

Part Number	SKID-LDM
Dimensions (L x W x H)	72" x 48" x 4.5"
Available Materials and Finishes	<ul style="list-style-type: none"> 3/16" Diamond Plate Steel 3/16" Galvanized Steel 3/16" Powder Coated Steel (Canyon Color) 3/16" Diamond Plate Aluminum



SolarcraftTM THE POWER OF QUALITY